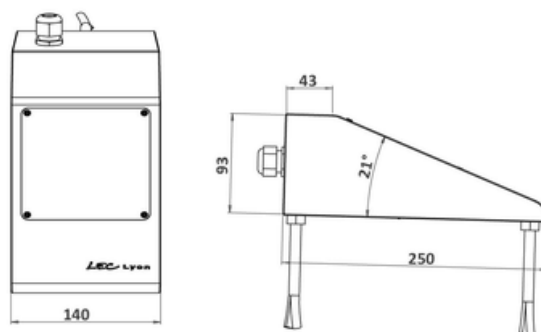


1832 ANGOULEME

- Cast aluminium
- Vandalproof organic glass window
- 316L Stainless steel screws
- Recess in sloped edges of pavements
- Uniform window



APPLICATION

- Marker-lighting

MOUNTING TYPE

- Ground recessed fittings
- Pavements sides

CARACTERISTICS

- Weight : 2200 g

Options of luminous effects

- Non adjustable
- Flat homogeneous window (optional)

Power supply - Control

- Cable length: 5 m

Material

- Marine anodised cast aluminium
- Vandalism-proof, scratch-proof, UV-proof, polycarbonate window, M2

Mechanical strength - Waterproofness

- Withstands random all vehicles traffic
- IK10 40J** Resists impacts up to 40 joules (IK10)
- IP67** Tight for temporary immersion

AVAILABLE OPTIONS

Number of LEDs	80
Type of LEDs	120° SMD LEDs (S)

Select your specific requirements with our product configurator, by filtering technical criteria at the following link:
<http://www.lec-lyon.com/1832z-angouleme-r125>