



EXTRAS LEXA®

1010

Embedded studs

Integrated into the ground, LEXA® emits a light signal that remains clearly visible in all lighting conditions, both in low and high brightness, in order to attract users' attention and guide pedestrian trajectories. Used in addition to a traffic light or a detection system, it warns of potential danger

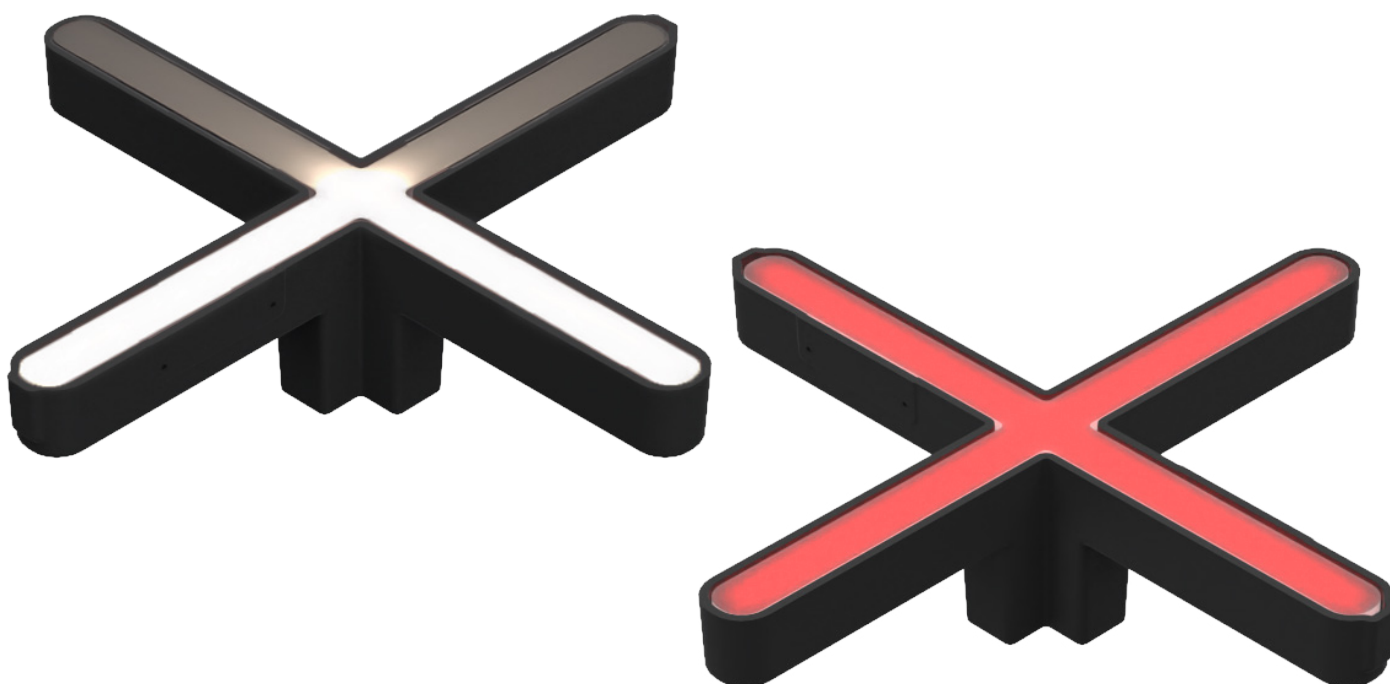
and improves the visibility of crossing areas. Thanks to its adaptable design, LEXA® can be connected to various control systems: presence detection, synchronization with traffic lights, or intelligent flow-management scenarios.



FEATURES

LUMINAIRE'S BODY

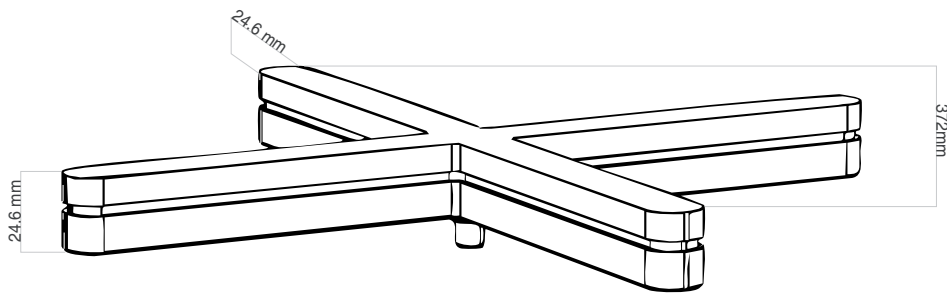
Materials	White ABS / polycarbonate front face
IP rating	IP68
IK rating	IK10
Weight	0.65 kg
Cable length	Connector base
Features	Cross or arrow depending on control
Integrated power supply	24 V dc + PWM (class III)
Remote power supply in distant box	230 V ac -> 24 V dc + PWM Control possible via: 0-10 V, DMX, DALI, potentiometers



OPTICAL UNIT

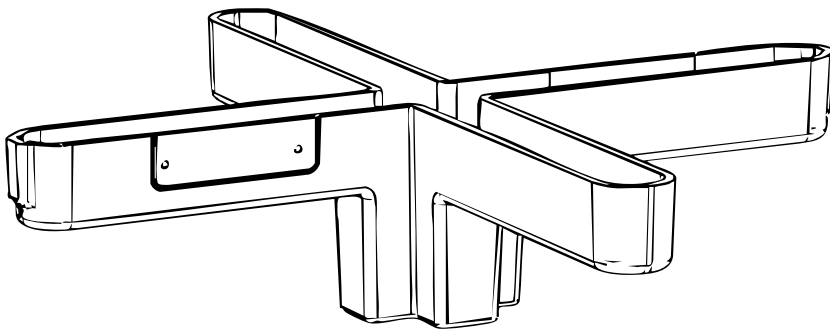
Color temperature	Red / White OR Amber / White
Type of LED	SMD LED
Optics	Uniform
Number of LED	Cross = 72 / Arrow = 36
Product reference	1010

DIMENSIONS



ACCESSORIES

Recessed mounting plate



CONFIGURATION GUIDE

Configuration example: 1010Y-SOW
(to be customized with the references below)

1010	Y	S	OW	-	-
Reference	Cable	LED	Color		
1010	LEXA	Y Connector base output	S 72 mid-power LEDs cross pattern + 36 mid-power LEDs arrow pattern		

OW Amber cross and cold white arrow
RW Red cross and cold white arrow