



# SPOTS LUMINY 2

## 4020

Wall-mounted & mast

LUMINY 2 is the mid-range version of the spotlight range, offering installation flexibility. This luminaire is designed to highlight architectural details, as well as to illuminate pathways, alleys, or street furniture with elegance and precision. The option of powder-coating is available on request, enabling aesthetic customization that harmonizes

with its surroundings. What's more, LUMINY 2 offers a four-color process option for even more dynamic and personalized lighting effects, making it the ideal solution for all your lighting applications. For optimum visual comfort, an anti-glare louver is also available to control light emissions and reduce glare in sensitive areas.

Credits from left to right:  
1. © LEC - Eckartsau, Austria | 2. © LEC - Chamonix, France  
3. © LEC - Grenade, France | 4. © MFROMER - Sion, Switzerland



## FEATURES

## LUMINAIRE'S BODY

<b>Materials</b>	Clear anodized machined aluminium
<b>IP rating</b>	IP67
<b>IK rating</b>	IK10 20 J
<b>Weight</b>	1.07 kg
<b>Cable length</b>	100 cm
<b>Features</b>	2-axis adjustable Transparent flat window
<b>Integrated power supply</b>	24 V dc + PWM (class III) 230 V ac (class II)
<b>Remote power supply in distant box</b>	230 V ac -> 24 V dc + PWM Control possible via: 0-10 V, DMX, DALI, potentiometers

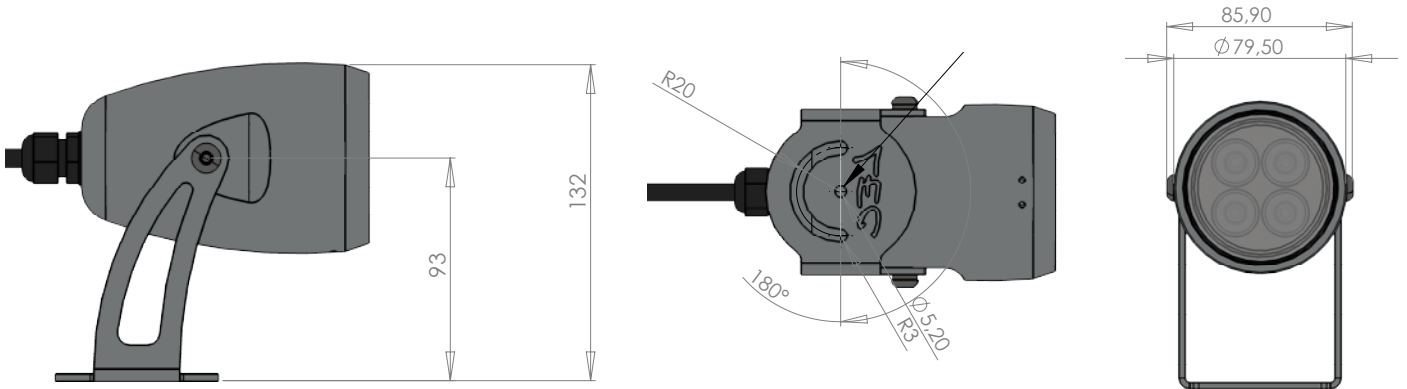


## OPTICAL UNIT

<b>Color temperature</b>	2 200 K (A), 2 700 K (F), 3 000 K (E), 4 000 K (N), 6 000 K (W), Red (R), Amber (O), Green (V), Blue (L), Royal Blue (K), Four-color (TW in RGBW)
<b>Type of LED</b>	Power LED
<b>Optics</b>	10°, 20°, 36°, 52°, 77°, 120°, 130 x 25° (L1), 116 x 44° (L2), 40 x 10° (L4), 100 x 20° (L7). See details in the "Photometric Specifications" document
<b>Number of LED</b>	4
<b>Reference flux*</b>	836 lm
<b>Product reference</b>	<b>4020</b>

\*This value, obtained at the luminaire output, corresponds to the optimum number and type of LEDs for warm white light (3,000 K).

# DIMENSIONS



# OPTIONS

- RAL powder coating paint of your choice
- Four-colour
- Mixed optics possible
- Honeycomb louvre



# ACCESSORIES

- Mounting plates for poles with a
- Ø 106 mm (R53)
  - Ø 180 mm (R90)

Cap



# CONFIGURATION GUIDE

Configuration example: 4020TYP5-R-L2E  
(to be customized with the references below)

4020	T	Y	PS	R	L2E
Reference	Power supply	Connector	Painting	Color	Optics
4020	LUMINY 2	<ul style="list-style-type: none"> <li>Ø 24 V controllable via PWM</li> <li>UX 24 V controllable via DMX</li> <li>T 230 V</li> </ul>	<ul style="list-style-type: none"> <li>Ø Cable outlet</li> <li>Y Cable connector</li> </ul>	<ul style="list-style-type: none"> <li>Ø Without Painting</li> <li>PS Special painting</li> </ul>	<ul style="list-style-type: none"> <li>L2 Optics</li> <li>E Ellipse orientation (E, S, W, N)</li> <li>TW Four-colour - only in 24 V</li> <li>R LED color</li> </ul>
			<ul style="list-style-type: none"> <li>(option)</li> </ul>		