



SPOTS LUMINY 4

4039-4040

Wall-mounted & mast

LUMINY 4 is the “maxi” version of the spotlight range, offering installation flexibility. This luminaire can be floor, wall or pole-mounted, with adaptable accessories to meet your specific needs. It’s ideal for highlighting architectural heritage, or lighting pathways and alleyways with homogeneous light. It blends perfectly into public spaces to create a warm, safe atmosphere. LUMINY 4 also offers customization options,

such as powder-coating on request and anti-glare louvers for lighting control. The four-color option lets you play with colors, and its 2- or 3-axis adjustability lets you direct light precisely where it’s needed. For optimum visual comfort, a flux cover accessory is also available to control light emissions and reduce glare in sensitive areas.



Credits from left to right:
1. © Sam Barnes - London, England | 2. © LEC - Nîmes, France
3. © LEC - Aylesbury, England | 4. © MFROMER - Martigny, Switzerland



FEATURES

LUMINAIRE'S BODY

Materials	Clear anodized machined aluminium	
IP rating	IP67	
IK rating	IK10 20 J	
Weight	1.65 kg	
Cable length	100 cm	
Features	2-axis adjustable Transparent flat window	
Integrated power supply	24 V dc-PWM, 24 V-DALI (class III)	24 V dc + PWM, 24 V + DALI (class III) 230 V ac - non dimmable, 230 V ac + 0-10 V, 230 V ac + DALI (class II)
Remote power supply via cable	-	230 V ac + DMX (class II)
Remote power supply in distant box	230 V ac -> 24 V dc + PWM Control possible via: 0-10 V, DMX, DALI, potentiometers	230 V ac -> 24 V dc + PWM Control possible via: 0-10 V, DMX, DALI, potentiometers

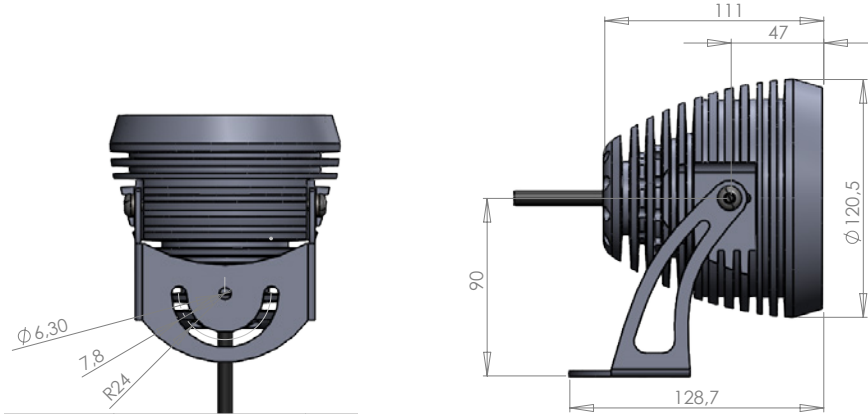


OPTICAL UNIT

Color temperature	2 200 K (A), 2 700 K (F), 3 000 K (E), 4 000 K (N), 6 000 K (W), Red (R), Amber (O), Green (V), Blue (L), Royal Blue (K), Four-color (TW in RGBW)	
Type of LED	Power LED	
Optics	4°. See details in the "Photometric Specifications" document	10°, 20°, 36°, 52°, 77°, 120°, 130 x 25° (L1), 116 x 44° (L2), 40 x 10° (L4), 100 x 20° (L7)
Number of LED	4	12
Reference flux*	836 lm	2 508 lm
Product reference	4039	4040

*This value, obtained at the luminaire output, corresponds to the optimum number and type of LEDs for warm white light (3,000 K).

DIMENSIONS



OPTIONS

4039

RAL powder coating paint of your choice
 Four-colour
 Honeycomb louvre

4040

RAL powder coating paint of your choice
 3-axis adjustable
 Four-colour
 Honeycomb louvre
 Mixed optics possible

ACCESSORIES

4039 / 4040

Cap

Mounting plates for poles with a

- Ø 106 mm (R53)
- Ø 180 mm (R90)



CONFIGURATION GUIDE

Configuration example: **4040TYMPS-R-L2E**
 (to be customized with the references below)

4040	T	Y	M	PS	R	L2E
Reference	Power supply	Connector	Orientation	Painting	Color	Optics
				(option)		L2 Optics E Ellipse orientation (E, S, W, N) T Four-color - only in 24 V R LED color
				Ø Without Painting PS Special painting		
			Ø 2-axis adjustable M 3-axis adjustable			
			Ø Cable outlet Y Cable connector			
	Ø 24 V controllable via PWM UD 24 V controllable via DALi UX 24 V controllable via DMX T 230 V non dimmable TV 230 V controllable via 0/10V					
4039	LUMINY 4					
4040	LUMINY 4					