



# SPOTS LUMINY

## 4010

Wall-mounted & mast

LUMINY is the “mini” version of the spotlight range, offering a compact, versatile solution for urban lighting. It can be installed on the ground, as a surface-mounted or pole-mounted luminaire, with Accessories adaptable for each configuration. This luminaire is ideal for highlighting subtle architectural details, small pathways, or street furniture. Its

316L stainless steel yoke and screws guarantee resistance to outdoor conditions. What’s more, a powder-coated finish is available on request to personalize its appearance and integrate it perfectly into its surroundings. LUMINY combines performance, durability, and elegant design, making it the perfect choice for illuminating different spaces with finesse.



Credits from left to right:  
1. © LEC - Paris, France | 2. © LEC - Valenciennes, France | 3. © LEC - Rabat, Morocco



## FEATURES

## LUMINAIRE'S BODY

<b>Materials</b>	Clear anodized machined aluminium
<b>IP rating</b>	IP67
<b>IK rating</b>	IK10 20 J - Not designed for vehicle traffic
<b>Weight</b>	0.22 kg
<b>Cable length</b>	100 cm
<b>Features</b>	2-axis adjustable Transparent flat window
<b>Integrated power supply</b>	24 V dc + PWM (class III)
<b>Remote power supply in distant box</b>	230 V ac -> 24 V dc + PWM Control possible via: 0-10 V, DMX, DALI, potentiometers

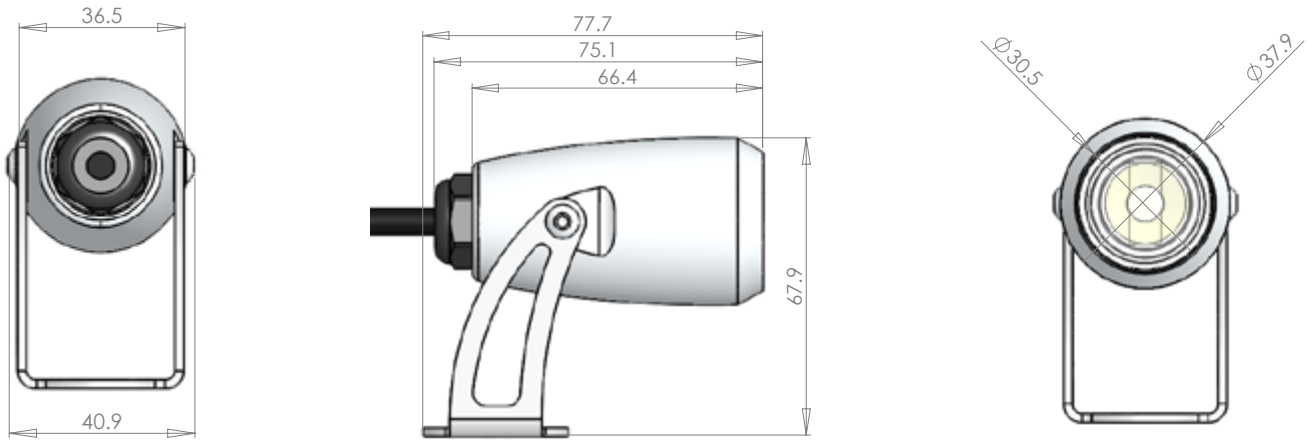


## OPTICAL UNIT

<b>Color temperature</b>	2 200 K (A), 2 700 K (F), 3 000 K (E), 4 000 K (N), 6 000 K (W), Red (R), Amber (O), Green (V), Blue (L), Royal Blue (K)
<b>Type of LED</b>	Power LED
<b>Maximum power consumption of all possible options</b>	3.1 W
<b>Optics</b>	10°, 20°, 36°, 52°, 77°, 120°, 130 x 25° (L1), 116 x 44° (L2), 40 x 10° (L4), 100 x 20° (L7).
<b>Number of LED</b>	1
<b>Reference flux*</b>	209 lm
<b>Product reference</b>	<b>4010</b>

\*This value, obtained at the luminaire output, corresponds to the optimum number and type of LEDs for warm white light (3,000 K).

# DIMENSIONS



# OPTIONS

RAL powder coating paint of your choice  
Honeycomb louvre



# ACCESSORIES

Mounting plates for poles with

- Ø 106 mm (R53)
- Ø 180 mm (R90)



# CONFIGURATION GUIDE

Configuration example: **4010YPS-R-L2E**  
(to be customized with the references below)

4040 Reference	Y Connector	PS Painting	R Color	L2E Optics
		(option)		
		Ø Without painting		
		PS Special painting		
	Ø Cable outlet			
	Y Cable connector			
			R LED color	
				L2 Optics
				E Ellipse orientation (E, S, W, N)

4010 LUMINY