



EXTRAS TANDEM

4260

Wall-mounted & mast

TANDEM is an adjustable dual-emission wall light that concentrates all of LEC's technical expertise and know-how into a compact, discreet and elegant format. Its signature feature: a dual, adjustable lighting system with sources that rotate easily, allowing each beam to be oriented independently from -30° to $+30^\circ$, ensuring precise light direction according to the desired effect. Each source can

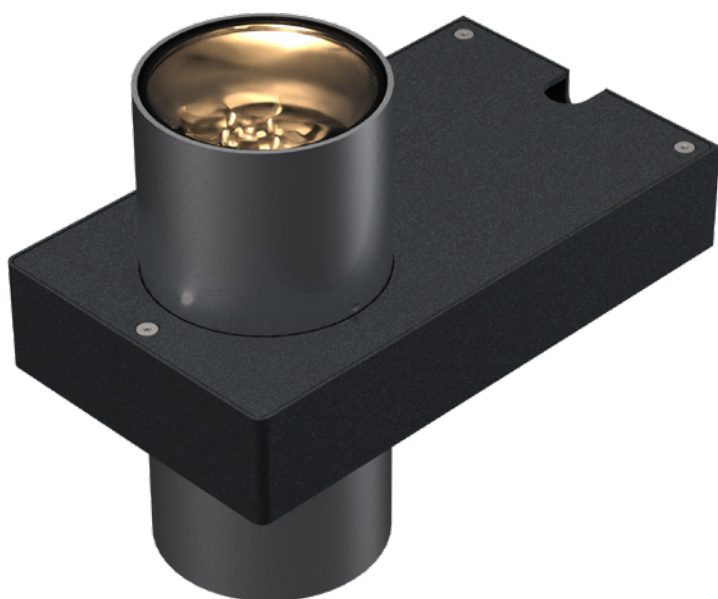
be configured with a distinct color temperature and benefits from a wide choice of optics, offering great design freedom to create contrasting atmospheres, highlight architecture or produce tailored lighting effects. Thanks to its adjustable dual beam, TANDEM adapts to many environments: tunnels, sidewalks and walkways, facade and architectural highlighting.



FEATURES

LUMINAIRE'S BODY

Materials	Clear anodized machined aluminium
IP rating	IP67
IK rating	IK10 20 J
Weight	2.7 kg
Cable length	1 m
Features	2 independent LED modules (optic, LED color, and control) Adjustable orientation without disassembly Adjustable plates: 0° to 30°
Integrated power supply	24 V + PWM (class III) 230 V ac - non-dimmable, 230 V ac + 0-10 V, 230 V ac + DALI (class II)
Remote power supply in distant box	230 V ac -> 24 V dc + PWM Control possible via: 0-10 V, DMX, DALI, potentiometers

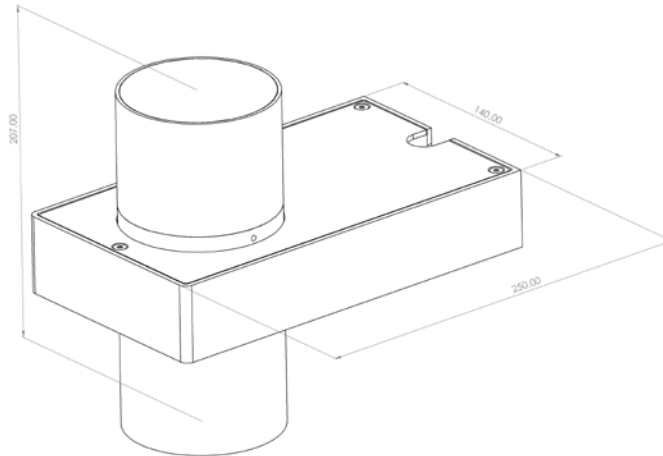


OPTICAL UNIT

Color temperature	2 200 K (A), 2 700 K (F), 3 000 K (E), 4 000 K (N), 6 000 K (W), Red (R), Amber (O), Green (V), Blue (L), Royal Blue (K), Quadrichromie (TW en RGBW)
Type of LED	Power LED
Consumption	20 W
Optics	10°, 20°, 36°, 52°, 77°, 120°, 130 x 25° (L1), 116 x 44° (L2), 40 x 10° (L4), 100 x 20° (L7). See details in the "Photometric Specifications" document
Number of LED	2 x 4
Reference flux*	1 784 lm
Product reference	4260

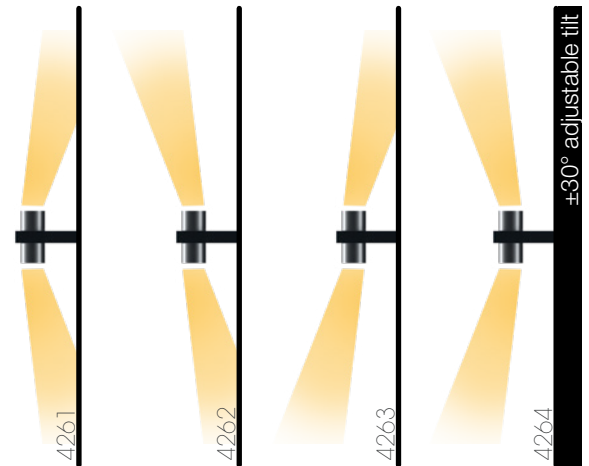
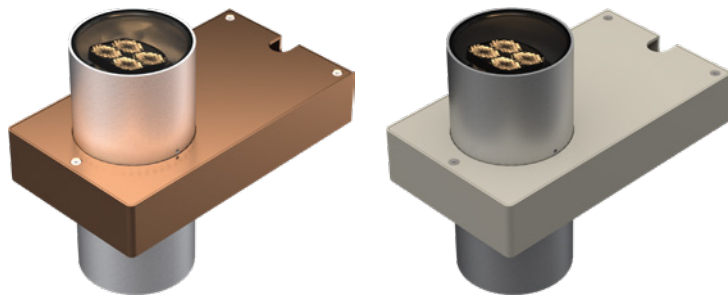
*This value, obtained at the luminaire output, corresponds to the optimum number and type of LEDs for warm white light (3,000 K).

DIMENSIONS



OPTIONS

Powder coating on body + metalwork
 4 default orientation versions available: 4261 / 4262 / 4263 / 4264
 Optical mix possible
 Honeycomb louvre



CONFIGURATION GUIDE

Configuration example: 4261TYPs-RL-L2E
 (to be customized with the references below)

4261 Reference	T Driver	Y Cable	PS Paint	R Color	L Color	L2E Optics
						L2 Optics E Ellipse orientation (E, S, W, N) L2 Color of the 4 power LEDs on the lower module Ø The upper and lower modules have the same color R Color of the 4 power LEDs on the upper module TW 4x1 LED power quadricromatic x2 on upper and lower modules
			Ø Cable outlet H Connector on cable	Ø No paint Y Special paint P1 Lighting fixture paint + metalwork		
	Ø 24V PWM controllable UD 24V DALi controllable UX 24V DMX controllable T 230V non dimmable TV 230V controllable 0-10V TD 230V DALi controllable TX 230V DMX controllable					